

FLUID END

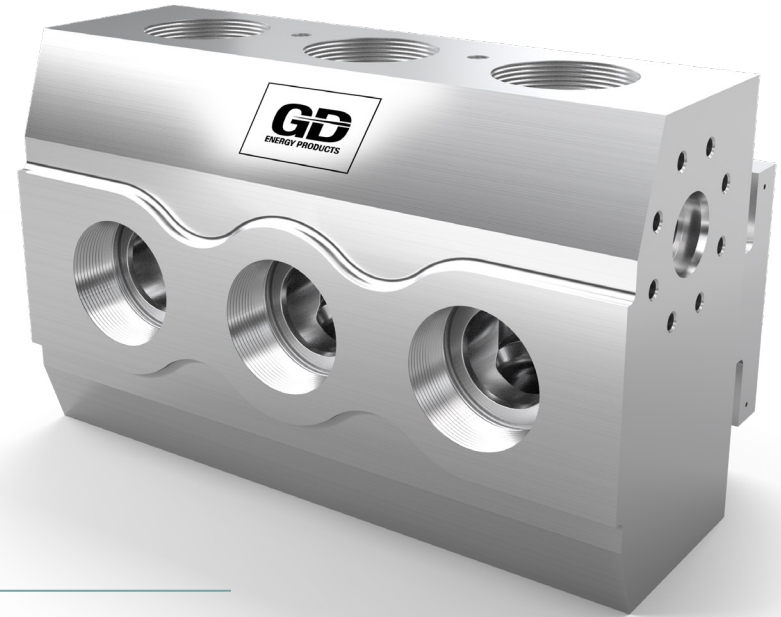
NX TRIPLEX



GD Energy Products' NX is designed to further increase the operational service life of fluid ends used in a hydraulic fracturing application. Backed by GD Energy Products' legacy of product innovation and superior product quality, the NX is a combination of our highest performing components including Redline Consumables.

STANDARD FEATURES

- The fit, form and function of the NX make it a direct fit to existing 2250T pumps. Also fits competitors 2250 horsepower pumps.
- There are no alignment requirements to suction covers and no special tooling required for install, reducing maintenance challenges.
- NX features Falcon Technology, which reduces maintenance time for consumable changes.
- NX's patented cross-bore design is optimized to extend fatigue cycles by 3.5 times over conventional fluid ends, resulting in longer fluid end life in severe duty pumping applications.



SPECIFICATIONS

