

## FLUID END



# 2500Q VX FLUID END

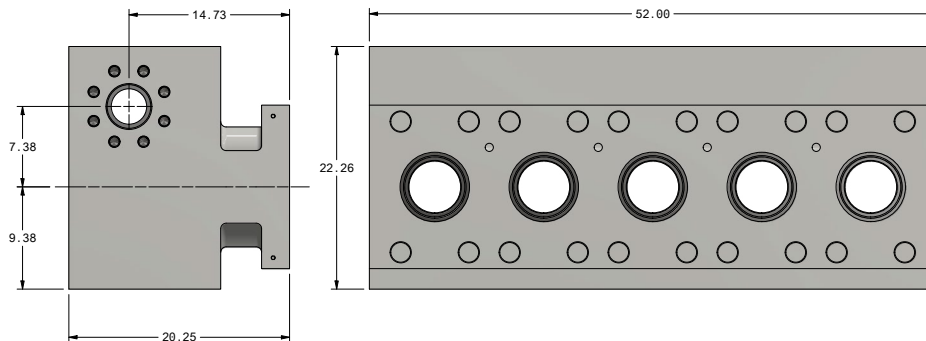
GD Energy Products' 2500Q VX Fluid End is a high value alternative to the standard SGWS fluid end and maintains a smaller forging and simplified external geometry. The 2500Q VX weighs 2,000 lbs less than standard fluid ends but still provides equal or greater fatigue life, thread strength, and washout life to standard heavier fluid ends. Backed by GD Energy Products' legacy of product innovation and superior product quality, the 2500Q VX is a combination of our highest performing components including Redline Consumables.

## BEST-IN-CLASS FEATURES

- Fit, form and function of the VX are the same as the SGWS series, meaning the 2500Q VX is a perfect alternative to existing GD Energy Products' SGWS and most competitor fluid ends.
- Our proven Falcon Technology valve spring retainer reduces maintenance time for valve, seat, plunger, and packing changes.
- Ease of maintenance. No alignment requirements to install suction covers and no special tooling is required.
- 8 bolt optimized discharge flange.
- Offered in both 4 in. and 4.5 in. design for use with GD-2500Q pump.



## SPECIFICATIONS



CONNECT WITH US

| [gdenergyproducts.com](http://gdenergyproducts.com)

| 1-866-GDPumps

| +1-918-GDPumps